



ECH200

High Resolution Handheld Coder

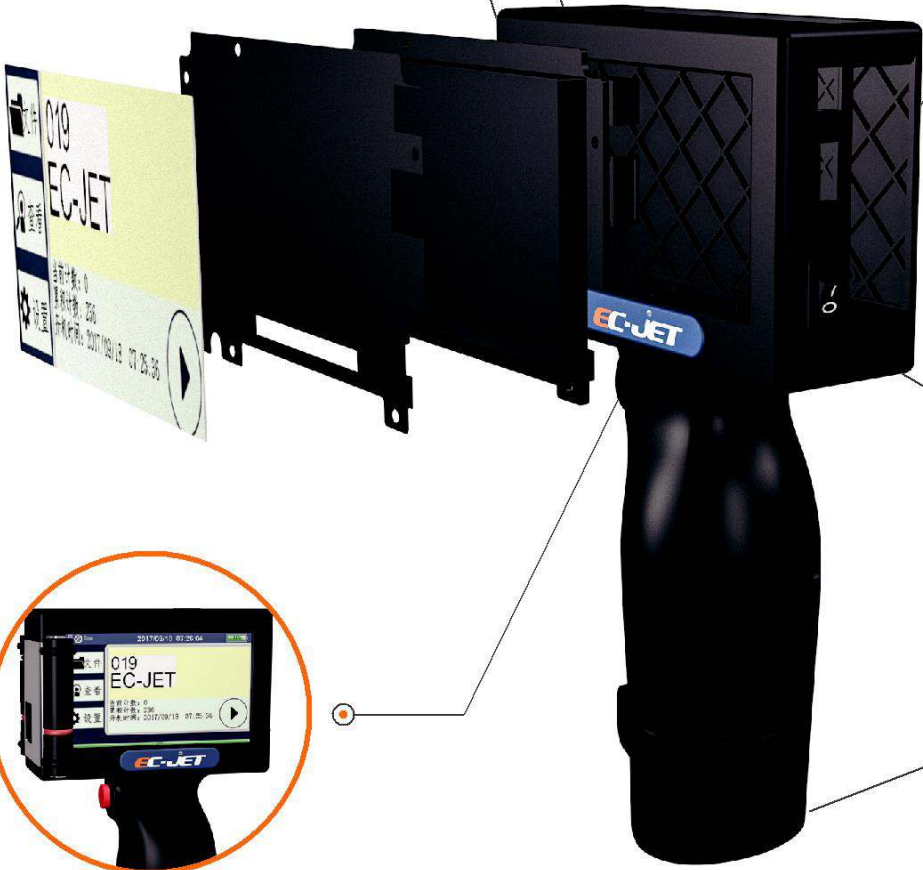


Cost Effective

- Virtually maintenance free
- Low running cost

Precision Quality

- Up to 12.7mm print height
- High Resolution printing



Long Battery Life

- 24 hours standby time
- 8 Hours continuous printing



Customization
Custom Functions
Upon Request



TTF Fonts support
TrueType fonts
Logo
Barcodes

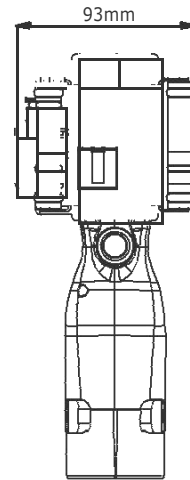
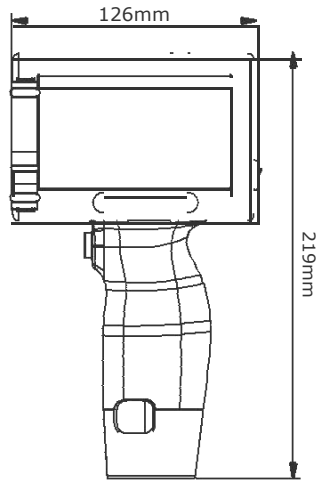


Easy Operation
Intuitive UI



Storage
Unlimited Storage
USB Drive support

Dimensions



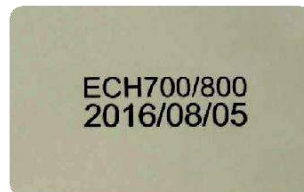
Samples



150*300



300*300



300*550



300*600

Applications



Model	ECH200
Print Height	Single Print head 0-12.7mm
Max. Length	Up to 600mm (standard version)
Dynamic Data	Date, Time, Serial Number
Features	
Resolution	150*300DPI~600*600DPI
Standby time	24 Hours
Printing Capabilities	Text, Time, Serial Number, Logo, Linear Barcode, 2D Barcode
Fonts	Windows Fonts、TrueType Fonts、Graphics (BMP)
信息长度	50inch
Message Storage	Unlimited (512MB internal Storage, Supports External USB Drive)
Operating System	EC-JET Operating System
Ports	Standard USB Host
Temperature Range	0°C~70°C
Compliances	EN55011:2009+A1:2010, EN61326-1:2013, EN61000-3-2:2014, EN61000-3-3:2013
Consumables	42ml Cartridge
Surface materials	Porous and semi-porous
Electrical Requirements	110V-240VAC, 50/60Hz
Power Consumption	<15W



E700



E800

XYCODE (177015-T)

Distributor

