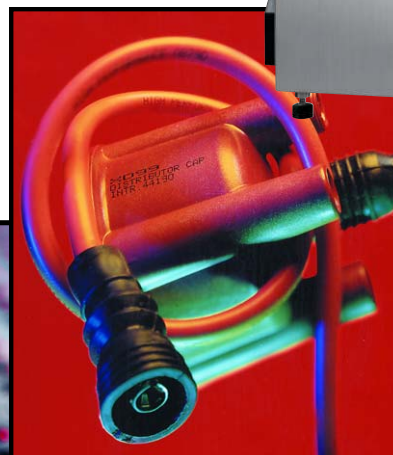


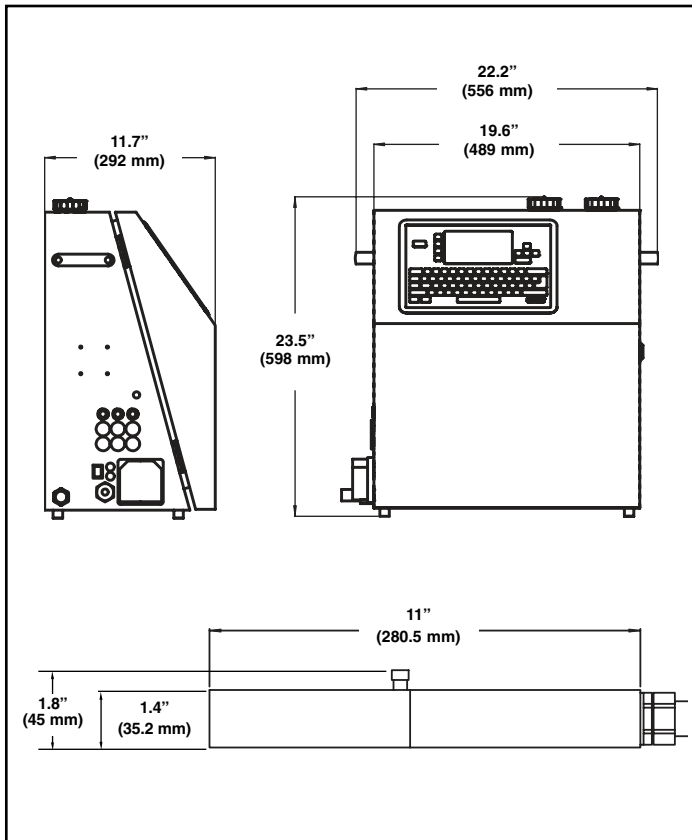
### **Small Character Ink Jet Printing**

**The Videojet® 46s ink jet printer provides the highest reliability reduced running costs available from an airless printer.**

- **No need for factory air**
- **4 line printing for maximum flexibility**
- **Single line print speed up to 1,066 feet per minute (5.4 m/sec.)**
- **Push button stop/start with automatic printhead flushing**
- **Stainless steel IP54 cabinet**
- **Fully compatible with Connector software**
- **Suitable for a wide range of industries, including food and beverage, pharmaceuticals, automotive parts, steel products, electronics and many more**



## Dimensions



## Specifications

### Standard Features

- Up to 4 lines of code
- Automatic printhead flushing during start up and shut down
- Local language message editing and display
- Low solvent consumption
- IP54 stainless steel enclosure
- Shift coding
- Maintenance due indicator
- Simple WYSIWYG message creation
- Logo and graphics creation
- Password protection system
- Serializer
- Continuous print capability
- Current and expiration time and date coding
- 9.8-foot (3 m) printhead umbilical
- Bar code printing
- QWERTY keypad
- Simple push button operation
- Multi-message storage
- Multi-national character printing

### Print Speed

Up to 2133 characters/sec./line

### Fonts

5 x 5, 7 x 5, 9 x 6, 12 x 8, 16 x 11, 19 x 14, 24 x 17

### Print Height

- 0.08 to 0.4 inches (2 to 10 mm)
- Optimum throw distance 0.36 inches (9 mm)

### Electrical Requirements

- 110/230 VAC, 50/60 Hz
- 200VA

### Environment

- Temperature range 41°F - 113°F (5°C - 45°C)
- Humidity up to 90% non-condensing

### Inks

A range of inks, including low environmental impact and substrate-specific, for a variety of applications and industries

### Data Input

- Shaft encoder
- Product detector NPN/PNP
- Programmable via keyboard or RS232 serial port

### Options

- Stainless steel base
- Printhead positive kit
- 90 degree printhead
- Alarm outputs
- Visual status indicators
- 19.7-foot (6 m) printhead umbilical
- Remote print message selection
- ECC 200 data matrix 2D bar code
- LAN port / RS485 / 20mA Loop
- Air dryer kit

## Videojet TotalSource® Service

The **TotalSource** program is the finest and most complete technical support system in the business. These services include everything from expert applications assistance, operator training and a full spectrum of maintenance services. The **TotalSource** program ensures total customer satisfaction. **Support when you need it**



© 2006 Videojet Technologies Inc. - All rights reserved. Videojet Technologies Inc.'s policy is one of continued product improvement. We reserve the right to alter design and/or specifications without notice. Videojet and TotalSource are registered trademarks of Videojet Technologies Inc.

CERTIFIED  
ISO 9001  
DOCUMENTED QUALITY



800-843-3610 • [www.videojet.com](http://www.videojet.com) • [info@videojet.com](mailto:info@videojet.com)

Videojet Technologies Inc. • 1500 Mittel Boulevard  
Wood Dale IL • 60191-1073 • USA  
Phone: 630-860-7300 • Fax: 630-616-3623