

Yamato



Dataweigh™ *α* Advance™

DATAWEIGH ALPHA ADVANCE

INNOVATION IN MOTION



Smart, Tough and Accurate

The new Alpha Advance series has raised the bar for industry standards. Operation has progressed to a more simple design, yet it is strong enough to withstand heavier loads. Product giveaway is dramatically reduced by increasing accuracy to unsurpassed levels.

The Alpha Advance series delivers high-speed weighing of 75wpm by the 10-head model and 140wpm by 14-head model.



*Stainless steel common bed is optional

I mproving productivity

- High frequency load cell shortens the settle time of the weighing cycle and enables high-speed weighing.
- Yamato AFC system (Auto feeder control system) ensures optimal feeding and greatly improves the accuracy and productivity.
- Improved feeder amplitude, ability to handle sticky or fragile products.

E nvironmental responsiveness

- RoHS compliance

E ase of maintenance

Modular Actuator Unit



The modular Actuator Unit incorporates the high-performance Yamato Strain Gauge Load Cell with the stepper motor driven system. This modular design makes troubleshooting and maintenance easy and quick.



- Buckets and linear feeder pans can be removed and attached easily without tools.
- Load cells can withstand up to 150kg load, and rigid buckets improves maintenance and cleaning works. (3,000ml and 4,500ml model)

Food Safety

Radius Corner and Springless Bucket

- Large radius corners make it easy and quick to clean, reducing downtime. Hygienic springless buckets are available depending on usage. (3L model)



Hygienic structure of main body

The modular Actuator Units are fully covered by stainless steel plates for excellent sanitation. (3L and 4.5L model)



Easy Operation

Color Touch Screen Operator Interface

- 10.4 inch color touch screen
- User-friendly icons enable easy operation.
- Up to 100 pre-set programs can be memorized.



USB Memory port



- Data acquisition
- Program update

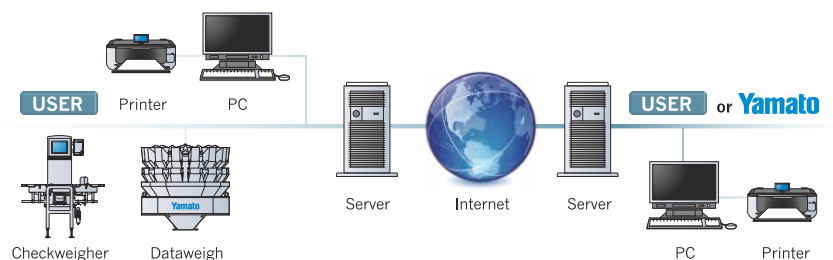
Self-diagnostics

All important system conditions, including voltages, input/output status, software versions, and analog/digital converter can be monitored and diagnosed through the color touch screen operator interface.

Network Remote Control and Data Acquisition

Network connection capabilities (optional)

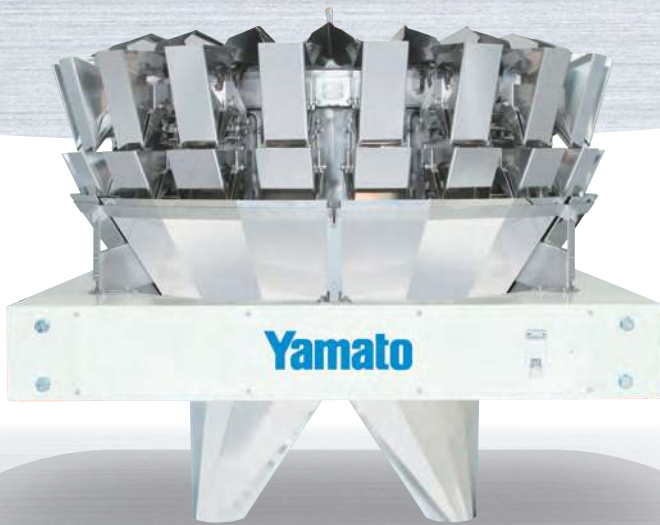
- PC remote control by LAN
- Data acquisition via USB, Ethernet
- Feed back control between checkweigher and multihead weigher



Production control function

Enter the number of packs required for a certain recipe and once the production batch reaches this number, the scale recipe can be automatically changed to the next one.

Standard



Wide variety of weighing application

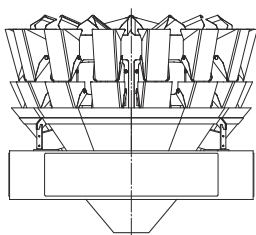


Dataweigh Alpha Advance series model

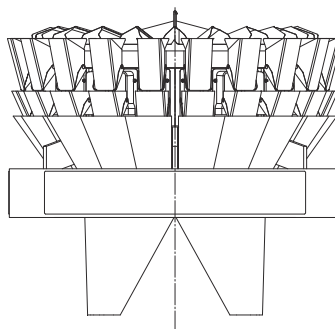
Model	ADW-A-0310S	ADW-A-0310SL	ADW-A-0314S	ADW-A-0314SL	ADW-A-0314F	ADW-A-0320S
Number of Weigh Head	10		14		14	20
Max.Speed	75wpm	60wpm	140wpm	120wpm	140wpm	2x75wpm
Max.Combination Volume	3,000ml	4,500ml	3,000ml	4,500ml	3,000ml	
Weighing Range	8~1,000g					
Min.Increment digit	0.1g					
Max.Product's Length	80mm	120mm	80mm	120mm	80mm	
Main Dimensions(W)X(D)X(H)mm (*Without Infeed funnel and Collection Bucket)	1,050x1,200x860	1,110x1,270x1,030	1,300x1,290x1,100	1,440x1,470x1,230	1,360x1,340x1,840 (with Collection Bucket)	1,720x1,720x1,570
Controller	RCU-920, 10.4 inch color touch screen					
Hopper Actuator	Stepper Motor Driven					
Power requirement	AC200/220/230/240V (+10% to -15%) 50/60Hz,0.7kVA, 1phase		AC200/220/230/240V (+10% to -15%) 50/60Hz,1.0kVA, 1phase		AC200/220/230/240V (+10% to -15%) 50/60Hz,1.0kVA, 1phase	AC200/220/230/240V (+10% to -15%) 50/60Hz,1.4kVA, 1phase
Operating Temperature	-10°C~40°C (14°F~104°F)					
Humidity	35~85%(there should be no condensation)					
Air requirement	Not required					
Net Weight	350kg	350kg	400kg	400kg	400kg	600kg
IP Protection Class	IP54					

This machine is covered by a number of patents worldwide
Above specifications and dimensions are subject to change without notice.

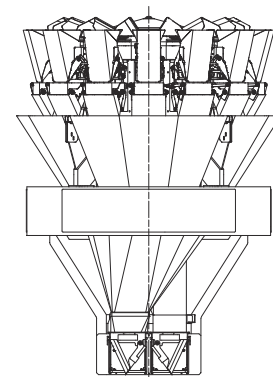
Standard



Twin



Frontier model



Compact model

- Optimum for small products, small weights and small package with high accuracy.
- Small footprint
- Each part is compact and detachable for easy to clean
- Low profile design suits to handle fragile products and can transfer products to the bottom fast.

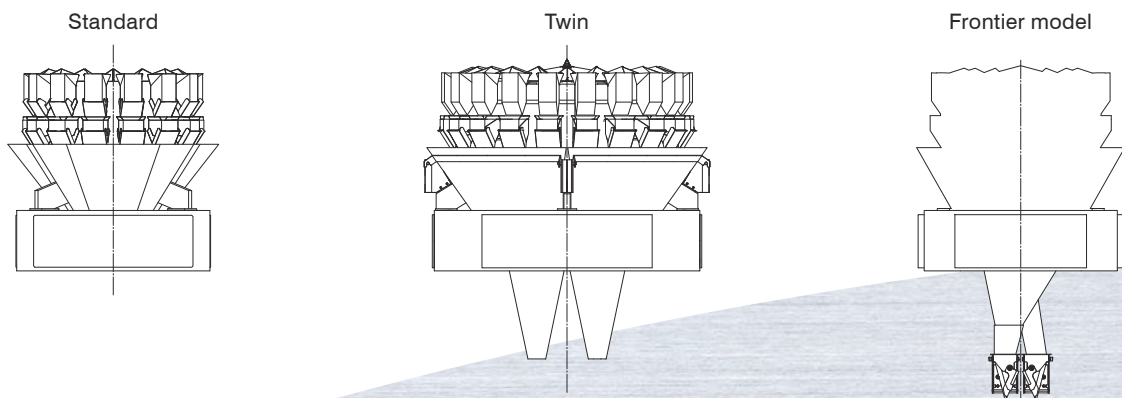
Wide variety of weighing application



Dataweigh Alpha Advance Compact model

Model	ADW-A-0110S	ADW-A-0114S	ADW-A-0114F	ADW-A-0120S	ADW-A-124S	ADW-A-0124M
Number of Weigh Head	10	14	14	20	24	24
Max.Speed	75wpm	140wpm	140wpm	2x75wpm	2x120wpm	2x150wpm
Max. Combination Volume	1,000ml					
Weighing Range	4~500g					
Min.Increment digit	0.1g					
Max.Product's Length	60mm					
Main Dimensions(W)X(D)X(H)mm (*Without Infeed funnel and Collection Bucket)	990x840x800	880x900x830	880x870x1,390 (with Collection Bucket)	1,170x1,170x1,230	1,270x1,280x1,270	1,270x1,280x1,320
Controller	RCU-920, 10.4 inch color touch screen					
Hopper Actuator	Stepper Motor Driven					
Power requirement	AC200/220/230/240V (+10% to -15%) 50/60Hz,0.7kVA, 1phase	AC200/220/230/240V (+10% to -15%) 50/60Hz,1.0kVA, 1phase	AC200/220/230/240V (+10% to -15%) 50/60Hz,1.0kVA, 1phase	AC200/220/230/240V (+10% to -15%) 50/60Hz,1.4kVA, 1phase	AC200/220/230/240V (+10% to -15%) 50/60Hz,1.5kVA, 1phase	AC200/220/230/240V (+10% to -15%) 50/60Hz,1.5kVA, 1phase
Operating Temperature	-10°C~40°C (14°F~104°F)					
Humidity	35~85%(there should be no condensation)					
Air requirement	Not required					
IP Protection Class	IP54					

This machine is covered by a number of patents worldwide
Above specifications and dimensions are subject to change without notice.



Waterproof model



- IP65 Compliant
- Hygienic construction for food safety
- Embossed stainless steel surface optimizes the product feeding.
- Large volume products can be handled by large bucket models ADW-A-0310SWL/ADW-A-0314SWL.

Wide variety of weighing application

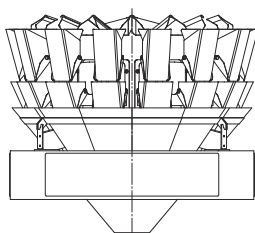


Dataweigh Alpha Advance Waterproof model

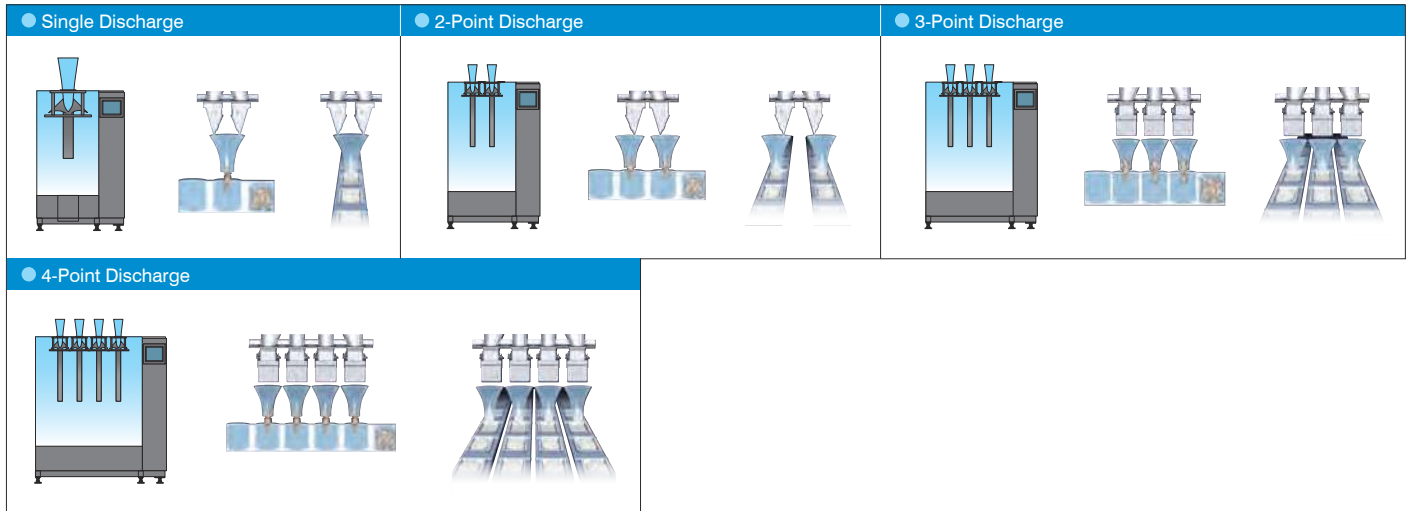
Model	ADW-A-0310SW	ADW-A-0310SWL	ADW-A-0314SW	ADW-A-0314SWL
Number of Weigh Head	10	10	14	14
Max.Speed	75wpm	60wpm	140wpm	120wpm
Max.Combination Volume	3,000ml	4,500ml	3,000ml	4,500ml
Weighing Range	8~1000g			
Min.Increment digit	0.1g			
Max.Product's Length	80mm	120mm	80mm	120mm
Main Dimensions(W)X(D)X(H)mm (*Without Infeed funnel and Collection Bucket)	1,050x1,200x860	1,110x1,270x1,030	1,300x1,290x1,100	1,440x1,470x1,230
Controller	RCU-920, 10.4 inch color touch screen			
Hopper Actuator	Stepper Motor Driven			
Power requirement	AC200/220/230/240V (+10% to -15%) 50/60Hz,0.7kVA, 1phase	AC200/220/230/240V (+10% to -15%) 50/60Hz,0.7kVA, 1phase	AC200/220/230/240V (+10% to -15%) 50/60Hz,1.0kVA, 1phase	AC200/220/230/240V (+10% to -15%) 50/60Hz,1.0kVA, 1phase
Operating Temperature	-10°C~40°C (14°F~104°F)			
Humidity	35~85% (there should be no condensation)			
Air requirement	Not required			
Net Weight	350kg	350kg	400kg	400kg
IP Protection Class	IP65			

This machine is covered by a number of patents worldwide
Above specifications and dimensions are subject to change without notice.

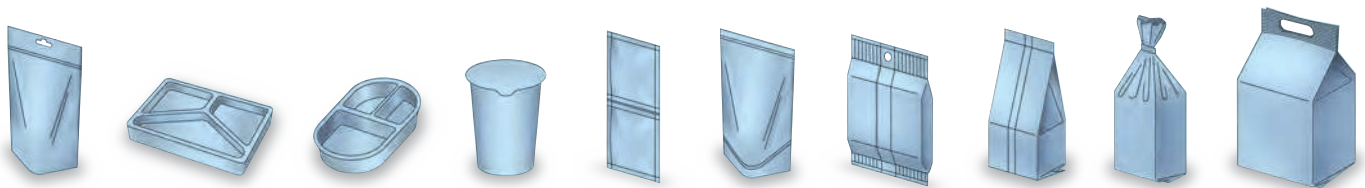
Standard



Providing various discharge patterns



Expanding packaging flexibility



Benefits of Dataweigh Alpha Advance Frontier model

Maximize Production output

- Increase productivity through high-speed multipoint discharge
- Minimize production waste through wider product window
- Small footprint

Increase Production output

- Applicable to duplex VFFS
- Applicable to 2 point horizontal packaging machines and tray lines.

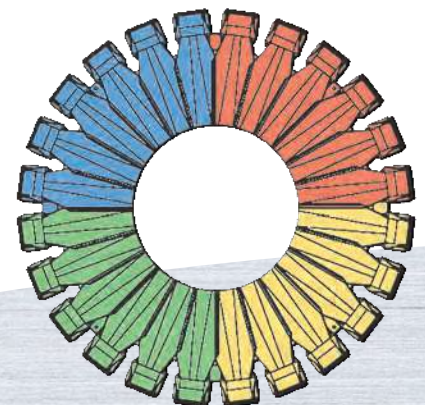
Contribute to environmental protection

- Reduce packaging waste and weight
- Lower total cost of ownership

Mixing Application

20head, 24head, 24 head with memory model

- Yamato's mix applications, which use a high-speed combination calculation system, can mix up to 4 different products on one weigher.
- Dataweigh Alpha's mixing software handles a wide range of combination calculations. It optimizes among different product groups to achieve the best mix with high accuracy of individual components, for a total package weight.



About Yamato & Dataweigh™

Yamato Scale Co., Ltd. was founded in 1920 and has always been a leading manufacturer in the world of weighing machinery. In 1979, the first Dataweigh ADW-110 was developed. Since then, we have introduced many groundbreaking technologies, creating today's high-speed and highly accurate multihead weigher 'Dataweigh Series', which is used throughout the world. Our headquarters are in Akashi, Japan, and we have regional offices in the U.S.A., Germany, Netherlands, U.K., France, Russia, China, India, UAE, Mexico and Thailand. We also have a joint-venture in Korea and cover more than 70 countries with our representatives. Our highly experienced sales and service network provides customers around the world with a high level of expertise and service.

■ On-site-service



Installation



Application



Training



Repairs



Maintenance

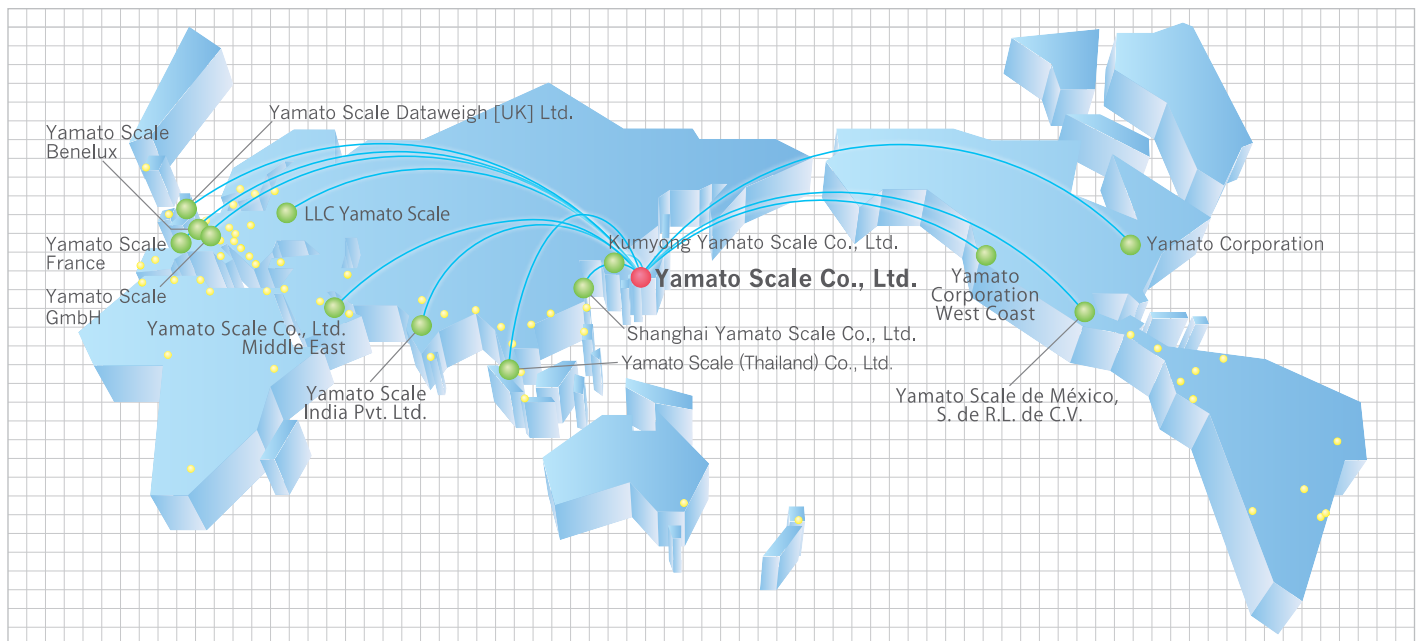


Helpdesk & hotline

■ In-house-service

Worldwide Sales & Service Network

Yamato is the only manufacturer of multihead weighers with wholly owned operations in America, Europe and Asia.



Spare Parts & Service

Yamato Spare Parts and Service are subject to the same high demands of quality as the machines themselves.

Speed, weight and volume listed are standard. Other ranges are also available when required, please contact Yamato.

This machine is covered by number of patents worldwide. All illustrations and specifications are subject to change without notice.



YAMATO SCALE CO., LTD.

5-22 Saenba-cho, Akashi, Japan 673-8688
URL : <http://www.yamato-scale.co.jp/>

Telephone : +81(78)918-5566-5567-5568
Telefax : +81(78)918-5552

Yamato Corporation

6306 W. Eastwood Court
Mequon, WI 53092 U.S.A.
Telephone : +1(262)236-0000
Telefax : +1(262)236-0036
URL : <http://yamatoamericas.com/>
E-mail : info@yamatoamericas.com

Yamato Corporation-West Coast

20451 James Bay Circle
Lake Forest, CA 92630
Telephone : +1(949)238-4500
URL : <http://www.YamatoAmericas.com>
E-mail : info@yamatoamericas.com

Yamato Scale de México, S. de R.L. de C.V.

Av. Dr. Gustavo Baz 191, Bodega F
Col. El Mirador, CP. 54080, Tlalnepanitla de Baz, Estado de México, México
Telephone : +52(55)2628-6140
URL : <http://yamatoamericas.com/>

Yamato Scale Dataweigh [UK] Ltd.

3 Maple Park, Lowfields Avenue, Leeds, LS12 6HH, England
Telephone : +44(0)113 322 1546
Telefax : +44(0)113 350 2020
URL : <http://www.yamatoscale.co.uk/>
E-mail : sales@yamatoscale.co.uk

Yamato Scale GmbH

Hanns-Martin-Schleyer-Str. 13,
D-47877 Willich, Germany
Telephone : +49(0)2154 9159-0
Telefax : +49(0)2154 40626
URL : <http://www.yamatoscale.com/>
E-mail : sales@yamatoscale.com

Yamato Scale France

3 Avenue du Canada, Bâtiment Gamma,
91940 LES ULIS, France
Telephone : +33(0)1 64 53 24 40
Telefax : +33(0)1 69 07 26 79
URL : <http://www.yamato.fr/>
E-mail : Vente@yamato.fr

Yamato Scale Benelux

Edisonstraat 4a, 5051 DS, Goirle,
The Netherlands
Telephone : +31(0)13 220 11 17
Telefax : +31(0)13 460 90 81
URL : <http://www.yamatoscale.nl/>
<http://www.yamatoscale.be/>
E-mail : ysb@yamatoscale.com

LLC Yamato Scale

Lublinskaya str. 151,
109341 Moscow, Russia
Telephone : +7(495)620 4870
Telefax : +7(495)620 4877
URL : <http://www.yamatoscale.ru/>
E-mail : salesru@yamatoscale.com

Shanghai Yamato Scale Co., Ltd.

368, Qingda Road, Heqing Industrial Field, Pudong,
Shanghai, ZIP code 201201, China
Telephone : +86(21)58973377
Telefax : +86(21)58973737
URL : <http://www.yamatosh.com>

Yamato Scale India Pvt. Ltd.

B-104, Okhla Industrial Area, Phase-I,
New Delhi 110020, India
Telephone : +91(11)4607 2882
Telefax : +91(11)4607 2881

Yamato Scale (Thailand) Co., Ltd.

1 Glas Haus Building, 12th Floor
Soi Sukhumvit 25, Sukhumvit Rd.
Klongtoey Nua, Wattana, Bangkok 10110
Thailand
Telephone : +66(0)2260-1057

Yamato Scale Co., Ltd. Middle East (Branch)

Dubai Airport Freezone
LIU-A07, P.O Box : 371911
Telephone : +971(0)42952730
Telefax : +971(0)42952729
E-mail : yamato@yme-01.ae