



Videojet LifeCycle Advantage™
Enabled



Continuous Inkjet

Videojet 1860

The smarter way to print.



Predictability and productivity can drive lower costs over the lifetime of your investment

In a world where setting higher standards is a constant reality, production line equipment needs to be more intelligent to enable even higher line performance. The Videojet 1860 Continuous Inkjet printer helps your team reset the bar for performance.

In the 1860, Videojet has re-imagined continuous inkjet printing technology. The 1860 integrates leading on-board intelligence and communication abilities with revolutionary technology elements. Not only does the 1860 deliver unparalleled uptime, it is expressly designed to help your team improve productivity and help drive lower costs over the lifetime of the printer.

With an innovative nozzle system and the SIMPLICiTY™ interface, operating the 1860 will become second nature for your team. Break-through predictive capabilities, through enhanced sensing and data processing, alert your team to potential unplanned downtime events. With advance notice, the 1860 helps your teams take corrective actions during planned line stoppages to help ensure maximum line productivity. And with optional VideojetConnect™ Remote Service, your team can access Videojet experts to help improve productivity and troubleshoot potential issues.

With over 40 years of industry-leading, continuous inkjet expertise, Videojet has delivered the smartest, simplest-to-operate, and most efficient CIJ printer in the industry.



Videojet LifeCycle Advantage™

Maximize your line throughput and production quality with Videojet LifeCycle Advantage™

The Videojet 1860 leverages advanced analytics, remote connectivity, and the largest service footprint in the industry to maintain our uptime commitment, improve operations over time, and help you recover in minutes from unplanned interruptions.

- Maintain** the optimal performance of your printer
- Recover** from faults rapidly and maintain your productivity
- Improve** the capability and utilization of your printer over time

Performance without surprises **Uptime when you need it**

- Predictive capabilities provide up to 8 hours advanced notification of the most common downtime generating faults under normal operating conditions
- An industry-first ink build-up sensor provides advance warning of clogging and EHT trips
- Recover in minutes from unplanned interruptions with optional VideojetConnect™ Remote Service - minimizing the need for on-site service calls

Minimal touch design **Keep your operators focused on production**

- Significantly reduce operator error through advanced Code Assurance
- Access guided, embedded video instruction for routine printer tasks
- Complete your preventive maintenance with 3 easy-to-replace SmartCell™ components
- Access technical experts at the touch of a button through optional VideojetConnect™ Remote Service

Natural fit in your line **Work the way you want to work**

- Lower your cost of operation with up to 20% more efficient solvent usage*
- Withstands harsh washdown environments
- Hygienic design following industry guidelines
- Innovative printhead design improves speed by up to 20% in certain applications
- Integrate with factory systems using standard industry protocols with optional workflow modules

* Compared to existing 1000 Line models

Built-in evolution **Improve your operations today and tomorrow**

- Do more in the future by upgrading your printer with optional workflow modules
- Reduce unplanned downtime by accessing updates to predictive capabilities
- Operate more effectively with detailed runtime analytics and reporting, partnering with Videojet Service to get better over time

Introducing the 1860.
Enhanced productivity today can increase profitability tomorrow

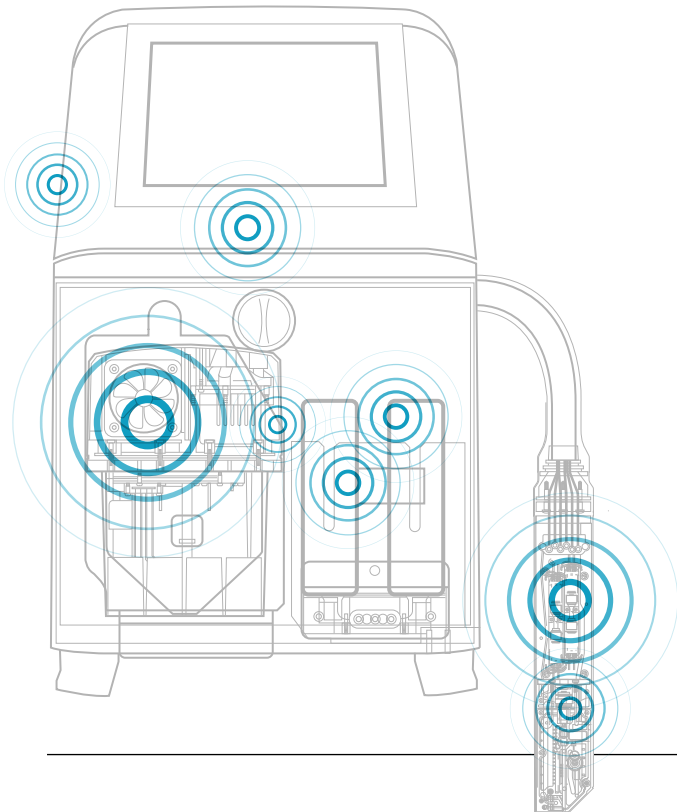
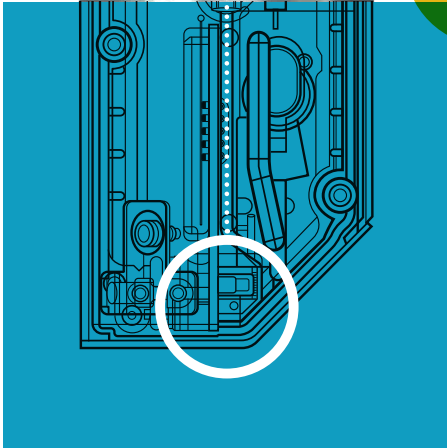


Performance without surprises... Uptime when you need it

Putting the continuous into continuous inkjet

The printer has been designed to deliver industry-first predictive capability providing superior uptime and performance. The result is a revolutionary design that achieves your marking and coding objectives today and as they evolve.

The 1860 has both predictive and preventive capabilities significantly reducing common problems of print clipping and EHT trips that plague others' CIJ equipment. The printer alerts users prior to unplanned downtime events, helps eliminate operator input errors and provides access to technical support remotely. Should an issue occur, the optional VideojetConnect™ Remote Service allows you to recover from a number of fault conditions in minutes, while minimizing the need for on-site service calls.



Industry first predictive ink build-up sensor

Significantly reduce the main cause of unplanned printer downtime with an industry first ink build-up sensor. The 1860 printhead incorporates a unique sensor which enables the printer to detect build up in the printhead, alerting the user with advanced notification before print clipping and the associated EHT trips occur.

Continuously monitor your 1860 printer's health

Powerful on-board intelligence runs through a revolutionary system, with 53 sensors continuously monitoring over 150 key indicators of printer performance, providing expert diagnostics, analytics and guiding you to correct problems before they happen.



Superior quality at higher speed

The 1860 delivers linear speeds up to 960 fpm and 302 fpm in tri-line rasters, a 20% increase over previous printers* allowing for greater throughput and more information printed at a higher quality.

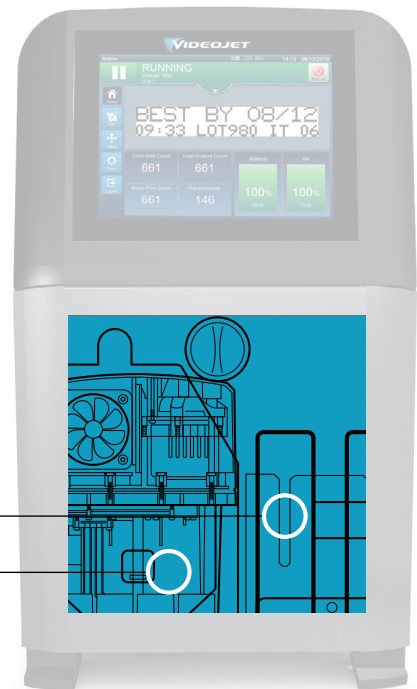
* Relates to increase over 1000 Line.

Make-up reserve tank with a minimum 8 hours of run time**

An additional reserve tank protects production under normal operating conditions – allowing ample advance warning to prevent a downtime event.

Precise fluid transfer measurement increases the stability of the ink and make-up mix, and provides reliable indication of remaining fluid levels. The 1860's fluid system features a larger one-litre Smart Cartridge™ with the Videojet embedded microchip, ensuring only compatible fluids are used. Loading the wrong ink or an incompatible make-up fluid is impossible, helping prevent common operator mistakes.

** Under normal operating conditions



Videojet LifeCycle Advantage™

*** A large paper organization reduced printer downtime by over 50% utilizing VideojetConnect™ Remote Service to: analyze remote alerts detailing printer performance, examine root causes, and pinpoint improvements in operating procedures.

50%
reduction in
printer downtime***



Minimal touch design... Keep your operators focused on production

Smart printing made simple!

The new SIMPLiCiTY™ interface greatly reduces operator printer interactions to help eliminate potential user errors through an intuitive, tablet-inspired 10" touchscreen interface. And with optional VideojetConnect™ Remote Service, the power of the largest technical support team in the world is available to you at the touch of a button.

Wizards – Guiding you
every step of the way



Built-in wizards allow you to customize your interface to help ensure that your operators only see the options they need. Error-proofing rules help define editable fields, permissible data types, date range restrictions and more, greatly reducing printer interactions and potential user errors.



Step-by-step embedded video instructions guide the operator through routine tasks.

SmartCell™
Maintenance made simple

Simplify routine maintenance with three color-coded, easy-to-replace components that can be changed in just minutes with Videojet SmartCell™ technology.

On-screen alerts provide advance notification, allowing maintenance to be performed in line with your production schedules.

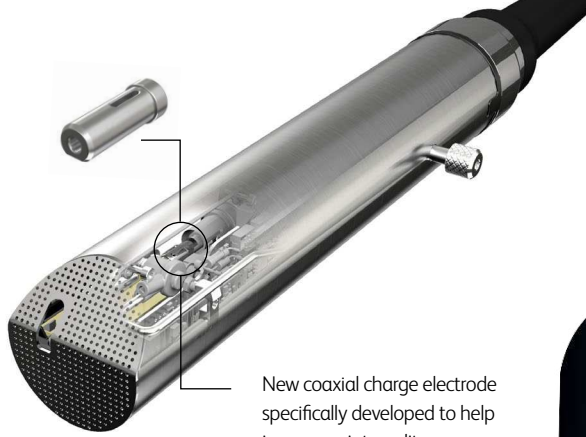


Intelligent message creation
greatly reduces coding errors

Remove the potential for operators to make mistakes through incorrect data entry by bringing manual intervention close to zero with the 1860's advanced Code Assurance capability.

Unique nozzle system

The unique design means a cleaner start and print with longer runs over wide ranges of changing production conditions. The enhanced Dynamic Calibration™ gives you independent viscosity monitoring and control, removing the need to wait for the system to get up to temperature before starting your print job.



New coaxial charge electrode specifically developed to help improve print quality.



Remote access with VideojetConnect™ Remote Service*

The 1860 printer with optional VideojetConnect™ Remote Service delivers on-board remote service capability.

Instant access to the world's largest network of CIJ experts at the touch of a finger. Bring the technician directly to the line to aid troubleshooting and remote printer recovery. No other printer delivers help faster to ensure you make the right decisions when needed.

** Subject to availability in your country*



Remote Alerts:
Be the 1st to know

Real-time notification of printer needs, warning or fault conditions

Empowering you to act quicker, intelligent software dispatches immediate email notifications that inform you of any irregularities or faults that could affect your Videojet printer's performance.



Dashboards:
Be the 1st to respond

Instant visibility to valuable printer activity

Enabling proactive responses, you can now see the status of all the Videojet printers in your plant and drill down to detailed information on an individual unit. Configuration values can be quickly viewed without complicated navigation, and performance graphs can track a unit's history and help identify the cause of downtime events.



Remote Recovery:
Be the 1st to recover

With remote recovery, Videojet expertise is virtually a click away

With remote access capabilities, your in-house experts or Videojet Technical Support can electronically access your Videojet printer's operating system, troubleshoot and even make needed setting adjustments for you online. This virtual access can help you recover quicker, and often without the need for an on-site service call.



Videojet LifeCycle Advantage™

** A leading building materials manufacturer utilized VideojetConnect™ Remote Service to improve routine maintenance and cleaning procedures resulting in a reduction in unplanned printer downtime by over 80%.



80% reduction in unplanned printer downtime**

Natural fit in your line

The 1860 not only lives on your line, it adapts to the line.
The 1860 drives productivity in ways that other printers can't.

Driving down operational costs

The 1860 printer is our most efficient yet, with savings up to 20%* achievable through an innovative approach to condenser design and solvent recirculation.

* Compared to existing 1000 Line models.

Connectivity the way you need it

The 1860 printer offers several integration choices such as standard RS-232 and Ethernet ports as well as options for industry standard factory automation protocols such as Ethernet/IP™ and Profinet®*.

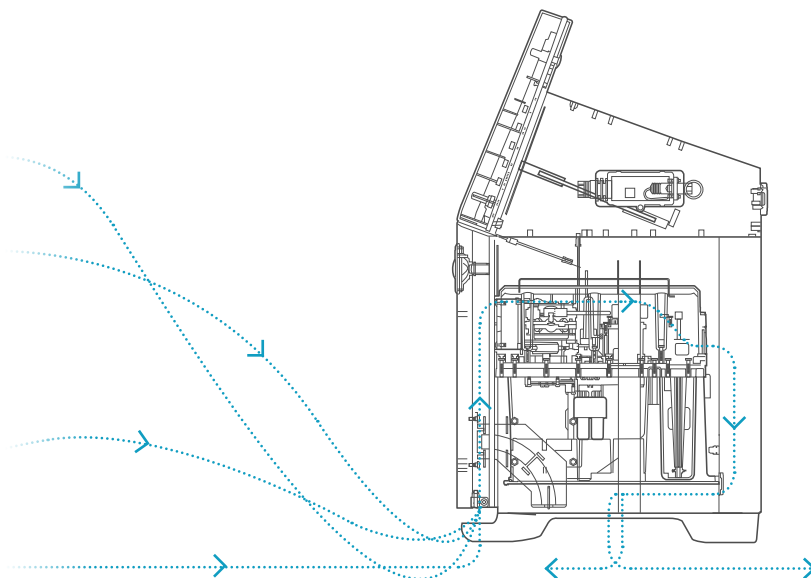
*Ethernet/IP is a trademark of ODVA. Profinet is a registered trademark of Profibus & Profinet International (PI).

Reduced consumption of up to 20%*



Smart temperature regulation without need for factory air

The 1860's intelligent air flow system directs clean, cool air to critical components in the printer, extending the stable operating temperature range to 0-50°C, even in the most challenging environments.



Meeting the most exacting standards

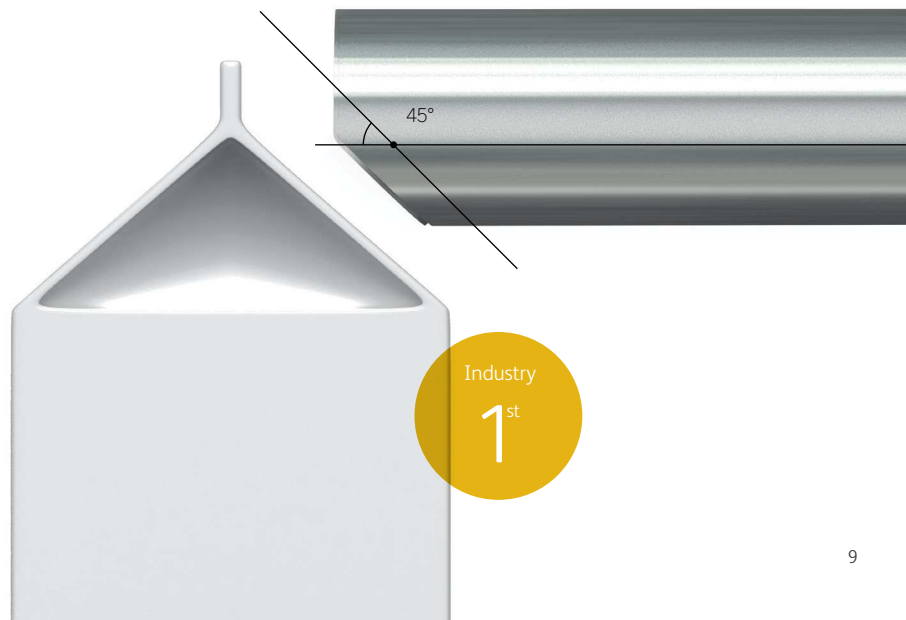
The 1860 enables an efficient cleaning operation and faster restart of your line. Hygienic design following industry guidelines incorporates slanted surfaces that help to prevent fluids or debris build-up, and also help eliminate potential dirt traps.

Available with an optional IP66 rating, eliminates the need to remove the printer from the line during washdown. The 1860 lives on your line in your tough manufacturing environment.



45 degree slanted printhead design

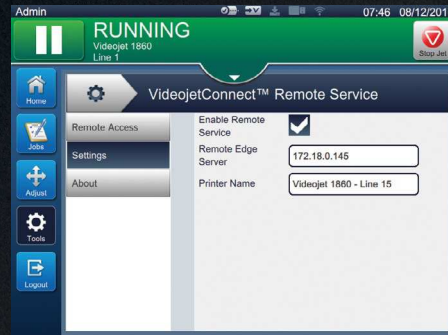
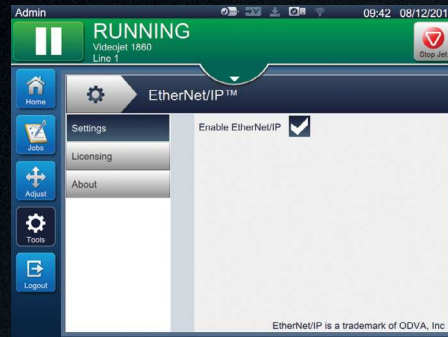
The printhead design delivers better line integration with more mounting options and closer proximity to the product. The printhead can get as close as 2mm to the package, even in gable top or other angled packaging applications, for crisper, better quality codes – reducing waste and improving quality.



Built-in evolution... Improve your operations today and tomorrow

The 1860 supports you as your printing needs change and as your production processes evolve. New capabilities that expand your printer's functionality can be selectively added as you need them.

The scalability of the 1860's advanced software can make your printer more productive and profitable as objectives change. This functionality can make the 1860 the printer that increases value to your operations over time.



Fine tune your productivity with Videojet LifeCycle Advantage™

The 1860's advanced runtime analytics and reporting will help ensure continuous improvement. Historical events from back as far as 90 days can be logged and analyzed. Optional VideojetConnect™ Remote Service can then interrogate your performance using easily accessible drill-down reports.

Specialized Videojet technicians will analyze your comprehensive data logs and determine the cause and context, enabling you to reduce future unplanned downtime.

Videojet LifeCycle Advantage™

The Videojet 1860 leverages advanced analytics, remote connectivity, and the largest service footprint in the industry to maintain our uptime commitment, improve operations over time, and help you recover in minutes from unplanned interruptions.

Improve

- Smart printers leveraging data across a fleet of connected printers to continually optimize printer performance that is tailored to your application
- Consultative services using remote service data to identify operational improvements and help you run your plant better
- The 1860's advanced monitoring and logging capability gives you a greater understanding of total printer performance across all shifts, accelerating your drive towards Lean
- More than 50 embedded sensors to improve predictive capabilities over time and get smarter about avoiding unplanned downtime
- Optional guaranteed uptime contracts to help you reduce your maintenance costs



Maintain

- On-demand remote training from Videojet Technical Support at the touch of a button
- Service packages for periodic preventive maintenance to help keep your printer in peak condition
- Configurable remote alerts notify customers of pending faults and provide warnings before downtime events occur to allow proactive resolution between production shifts

Recover

- Many repair needs can be resolved with the assistance of the Videojet team of CIJ experts in minutes, and without waiting for on-site service
- Largest global service organization in the industry to support on-site needs when complex support needs arise

The Videojet 1860...
the first printer designed with smart sensor technology to not only maintain our uptime promise, but to get smarter and improve performance over time



Optimize your coding
and marking investment

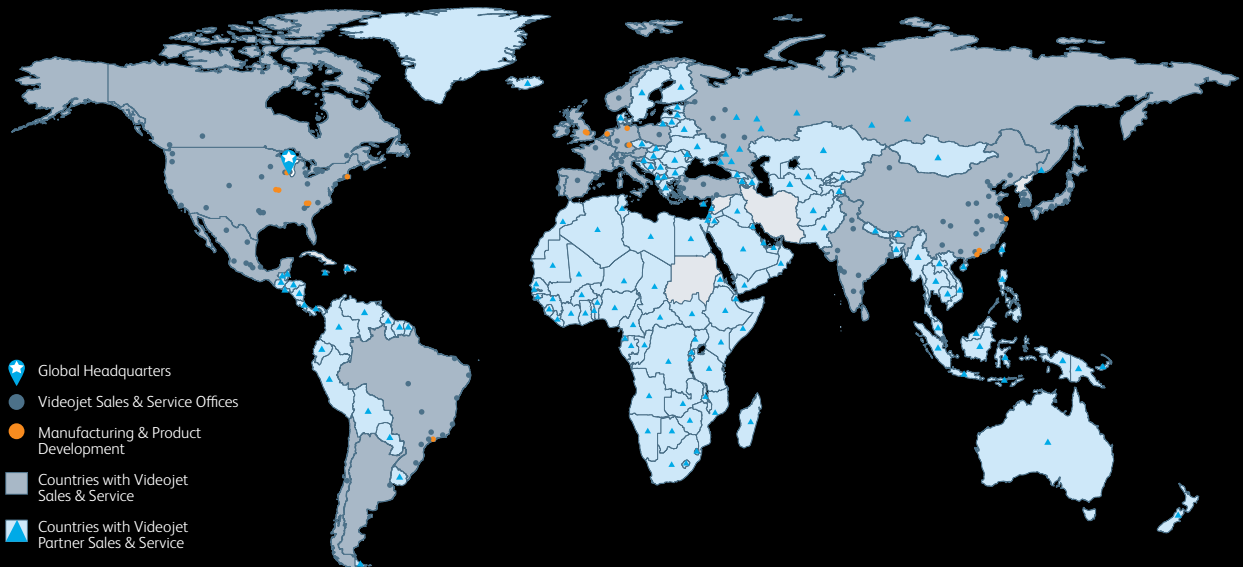
www.videojet.com/LCA

Peace of mind comes as standard

Videojet Technologies is a world-leader in the product identification market, providing in-line printing, coding, and marking products, application specific fluids, and product LifeCycle Advantage™.

Our goal is to partner with our customers in the consumer packaged goods, pharmaceutical, and industrial goods industries to improve their productivity, to protect and grow their brands, and to stay ahead of industry trends and regulations. With our customer application experts and technology leadership in Continuous Inkjet (CIJ), Thermal Inkjet (TIJ), Laser Marking, Thermal Transfer Overprinting (TTO), case coding and labeling, and wide array printing, Videojet has more than 345,000 printers installed worldwide.

Our customers rely on Videojet products to print on over ten billion products daily. Customer sales, application, service and training support is provided by direct operations with over 4,000 team members in 26 countries worldwide. In addition, Videojet's distribution network includes more than 400 distributors and OEMs, serving 135 countries.



Call **(65) 6444 4218**
Email marketing.singapore@videojet.com
visit www.videojet.sg

Videojet Technologies (S) Pte Ltd
No. 11 Lorong 3 Toa Payoh
Block B #03-20/21 Jackson Square
Singapore 319579

© 2017 Videojet Technologies Inc. — All rights reserved.
Videojet Technologies Inc.'s policy is one of continued product improvement.
We reserve the right to alter design and/or specifications without notice.

Part No. SL000640
br-1860-en-sg-0317

